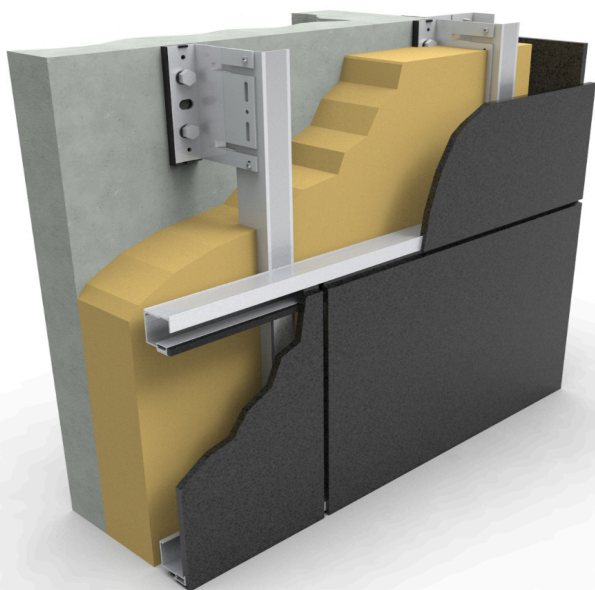


# Ventilated facade system

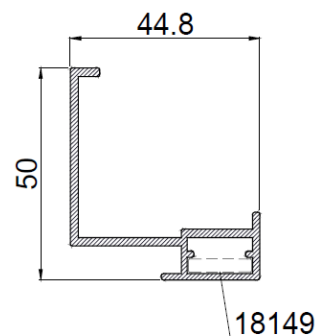
TS-300



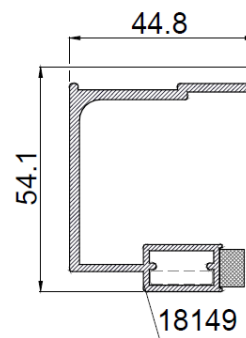
- Concealed fixing with horizontal profile and machined edges on aluminium substructure.
- The TS-300 fixing method is particularly suitable for the enclosure of large facade areas with horizontal modulations.

Concealed fixing. Horizontal profiles.

4646 Start-up profile.



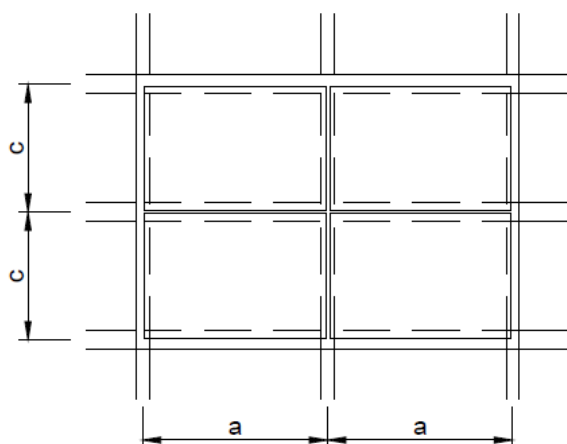
H4647 Intermediate/coronation profile.



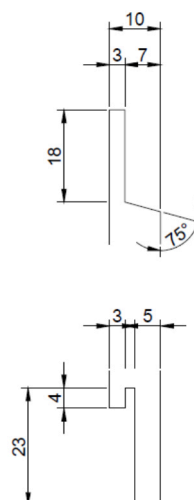
## Recommended maximum height of site plate

Site plate space (mm)	8	10	13
Site plate height (mm)	600	750	900

The maximum distance indicated in the table has been defined considering a maximum wind load of 600N/m<sup>2</sup> and a deflection of L/200.



Detail of the edges of the site plate.



Vertical section.

