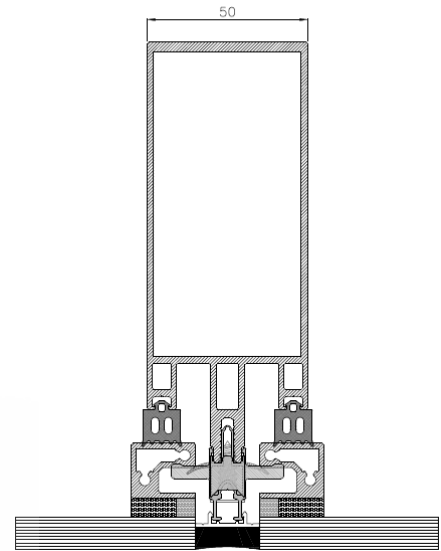
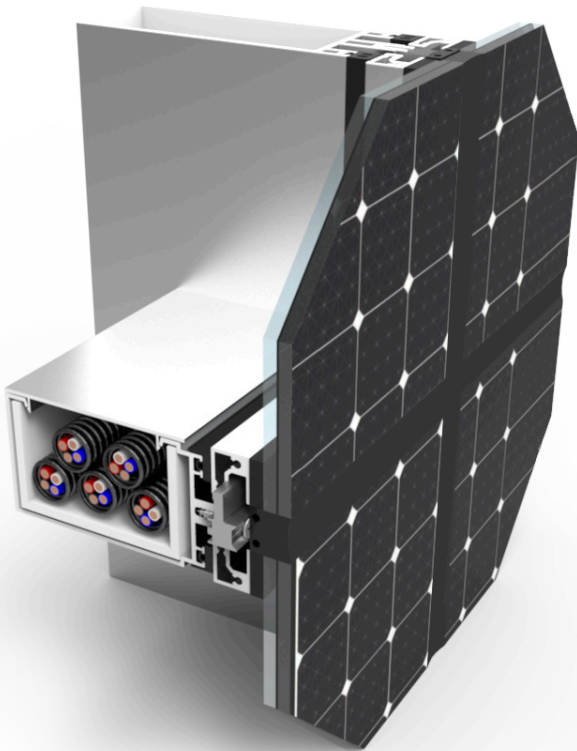


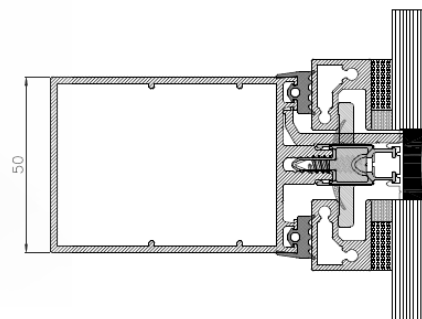
EXAP-50 FT

Lightweight facade - curtain wall

- Uprights and transoms, with a cross-section of 50 mm and depths ranging from 20.8 mm to 275 mm.
- Improved water tightness thanks to the tiered drainage system.
- Possibility of different external views: integration of photovoltaic panels.
- Glazing capacity from 6 mm to 54 mm with high thermal insulation.



Upright section



Transom section

Light facade with glass 33.2 - 10 - 44.2

6700x4500	Air permeability	A4
	Water tightness	R7
	Wind resistance	5700 Pa
	Impact test	Apt

Configuraciones

Glazing capacity	6-54 mm
Thin profile view	50 mm
Uf upright	1,82 W/m ² k
Uf transom	1,76 W/m ² k
Uw from	0,8 W/m ² k

