

# XM-40

Multifunctional system

- The XM-40 folding series has a multitude of hardware and profiles to easily adapt to the user's needs..
- Like the other solutions, the XM-40 folding series offers the possibility of closing with movable, fixed or glass louvres..
- It offers security in a room as well as protection against solar radiation.

## Opening types according to hardware

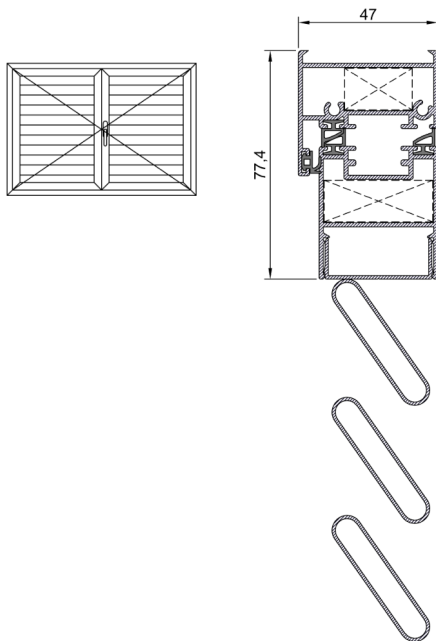
Casement, sliding, folding

## Options of fitting inside the frame/sash

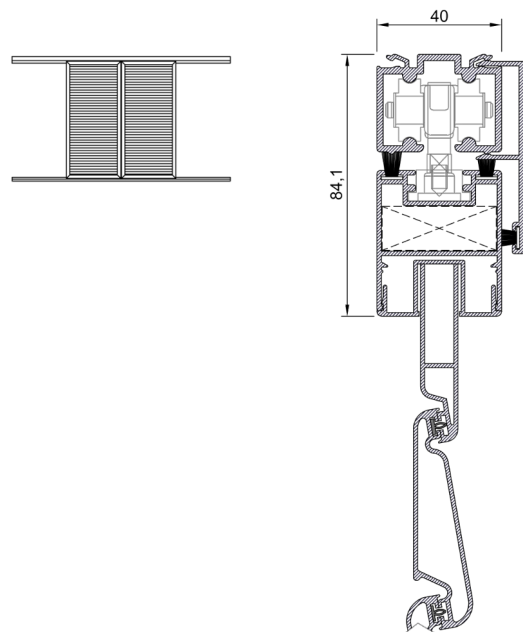
Opaque object

Fixed louvers  
movable (Mallorquina)

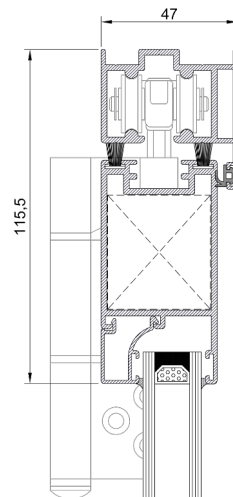
Transparent or translucent object Glass



Casement system



Sliding system



Folding system

