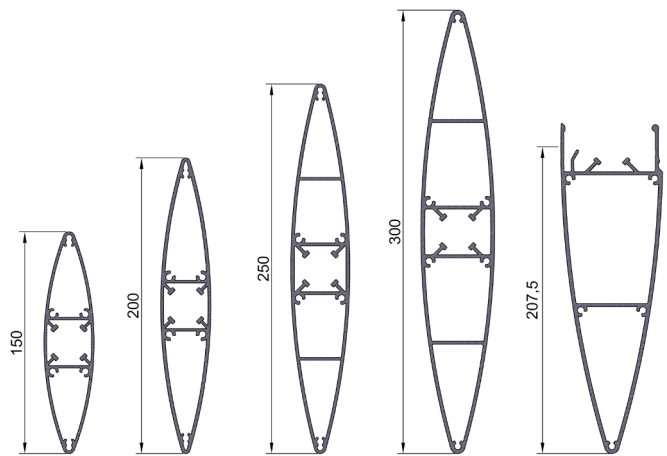


Solar protection system

“Aeroplane Wing”

- Versatile profiles for different systems:
 - Mobile horizontal
 - Mobile vertical
 - Fixed by cover
 - Fixed adjustable
- Know-how of our technicians for better energy efficiency.
- Profile dimensions:
 - From 150 to 300 mm
- Adjustable inclination options:
 - 0°, 30°, 45°, 60°, 75° and 90°.
- Motor design and hardware for fastening to the facade.



Dimensions		Maximum louver length (mm)				
Louwer	High	0°	30°	45°	60°	90°
150	34	1560	2420	2910	3270	3570
200	34	1690	3110	3260	4330	4670
250	40	2050	3850	4670	5130	5500
300	50	2580	4700	5480	6000	6000
415	69	3790	6000	6000	6000	6000

This length has been calculated with an average load per ml of 50 kg and without exceeding L/300, where L= length between supports.

