

Systems for interior design

Glass screens for offices

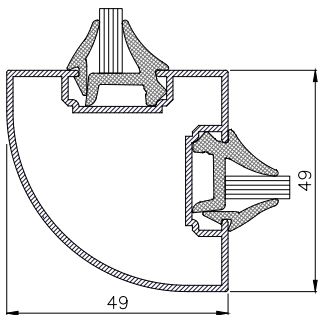
Simple system for glass or panel



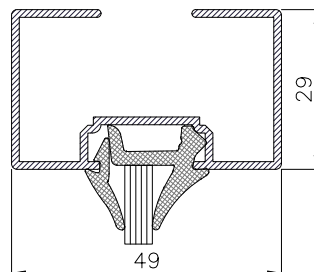
Aluminium sections

- For the meeting of glasses or panels at 90° (corner)
- For meeting a wall or ceiling
- For door installation
- For dividing in line
- For cross partition
- For division in line and one perpendicular at 90°.

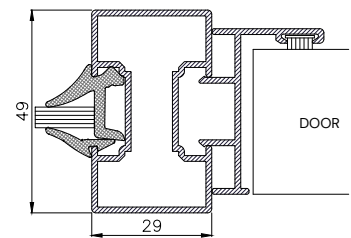
Section	49 mm
Glazing capacities	10-5 mm
Panel capacity	15 mm



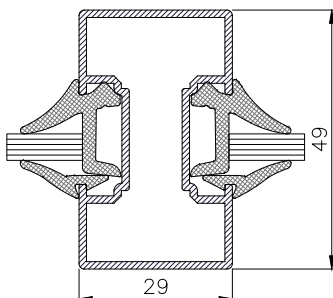
Corner profile



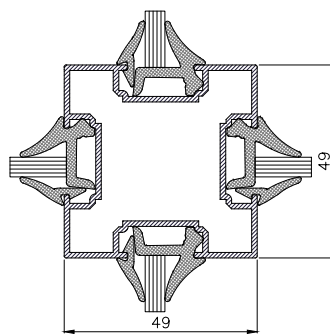
Wall or ceiling meeting profile



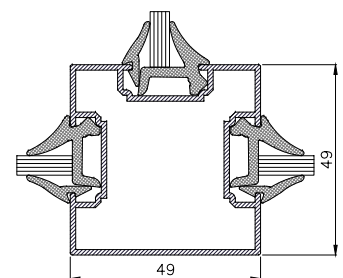
Door installation profile



In line profile



Cross partition profile



In line and perpendicular profile



Systems for interior design

Glass screens for offices

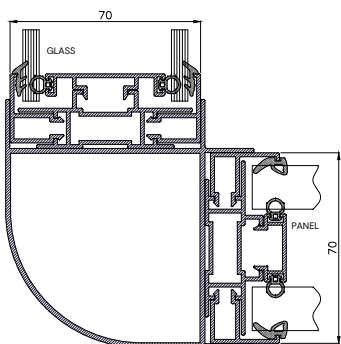
Double system for glass or panel



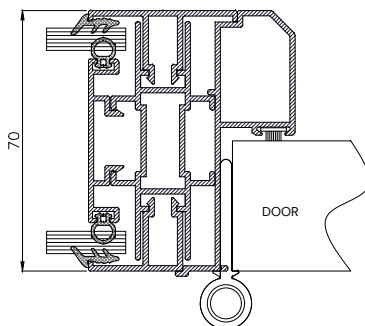
Aluminium sections:

- For the meeting of glasses or panels at 90° (corner)
- For door installation
- For in-line glass partitioning
- To meet wall or ceiling (panel or glass)
- For in-line panel partitioning

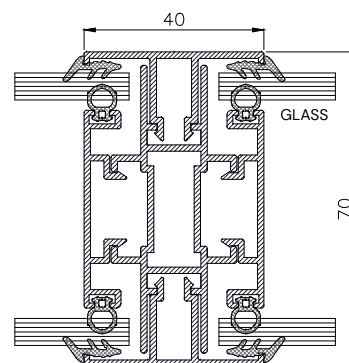
Section	70 mm
Glazing capacities	8 mm
Panel capacity	17,5 mm



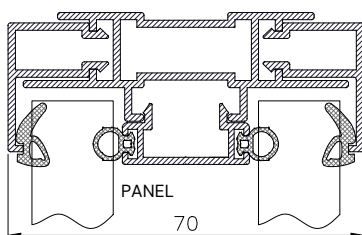
Corner profile



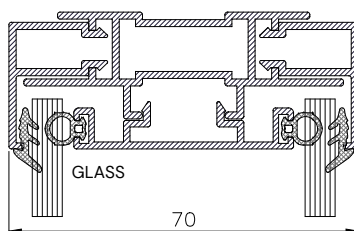
Door installation profile



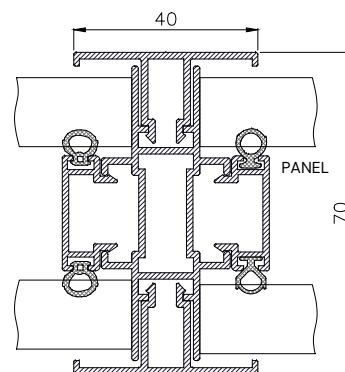
In line glass profiles



Wall or ceiling meeting profile



Wall or ceiling meeting profile



In line panel profiles

