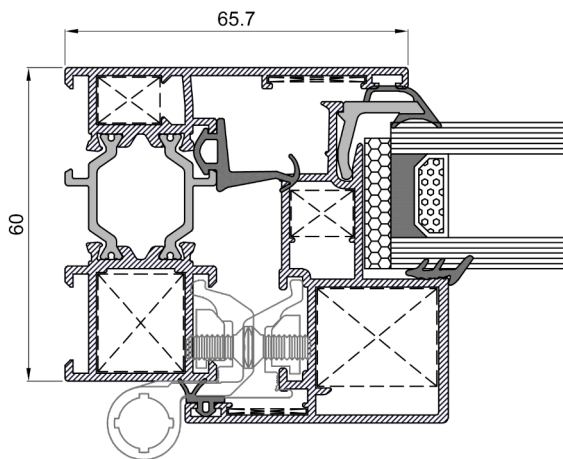


# XP-60 HO



The XP-60 HO system with a 60 mm section, concealed sash and standard canal for eurogroove hardware, provides a larger glass surface in the smallest possible construction section.



## Technical data

### Geometry and glazing

Frame	60 mm
Sash	61,5 mm
Thickness	1,5 mm
Polyamide frame	24 mm
Sash glazing thickness	23 - 28 mm
Frame glazing thickness	25 - 30 mm

### Maximum dimensions and weights\*

Width	1.400 mm
High	2.400 mm
Visible hardware	130 kg/hoja
Concealed hardware	180 kg/hoja

\*Consult maximum dimensions and weight according to typology.

### Categories achieved at test centre :

Protection against atmospheric agents | Conducted by a notified institution

Reference test: window with 2 tilt-and-turn sashes 1230x1480 mm, 6-18-6 glass

#### Air permeability

Test according to UNE-EN 1026:2017  
Classification according to UNE-EN 12207:2017



#### Water tightness

Test according to UNE-EN 1027:2017  
Classification according to UNE-EN 12208:2000



E = special category \*  
2100= pressure at which the window works

#### Wind resistance

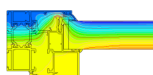
Test according to UNE-EN 12211:2017  
Classification according to UNE-EN 12210:2017



### Thermal transmittance | Energy efficiency:

$U_f = 3,4 \text{ W/m}^2\text{K}$

$U_w \geq 1,7 \text{ W/m}^2\text{K}^*$



### Window acoustic insulation:

$R_w (C;Ctr):$

45 (-1;-4)\*

\* Calculated value according to UNE-EN ISO 10077-2:2020 UNE-EN ISO 10077-1:2017 for 2 balcony sash window measuring 1480x2200 mm with triple low emissivity glass. Ug 1,0 W/m<sup>2</sup>K.

\* Calculated value for a 2 sash window measuring 1230x1480 mm with glass 47 (-1;-5), consult Extrugasa for other types of glass or dimensions.

